

Corporate Address

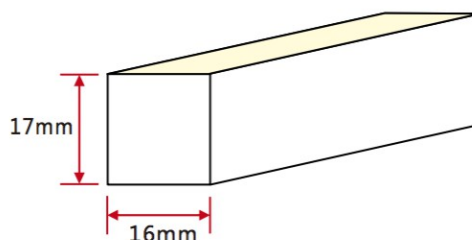
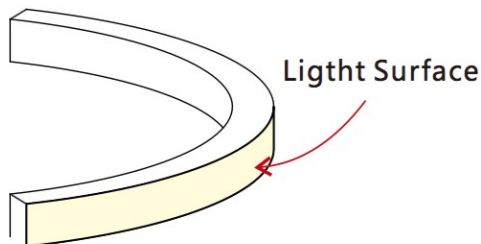
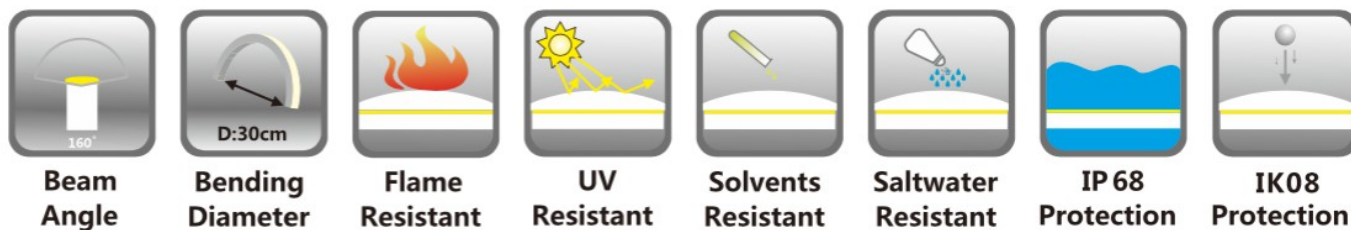
Equipson

Pol.Ind. L'Alteró, Av. Saler 14

CP: 46460 – Silla (Valencia), SPAIN



Flex Tube SC 17x16mm MFlex-T-SE



Note: Unless otherwise stated, the tolerance of the light is $\pm 0.2\text{mm}$.

Applications:

1. Outdoor or Indoor Contour/Border Lighting
2. Architectural Outline/Decorative Lighting
3. Cove/Accent Lighting
4. Facade/Terrace Floor Lighting
5. Display Lighting

Feature:

1. SMD LED in Tri-Color (RGB) or Mono-Color
2. UV-resistant PVC material
3. Flat surface, continuous and uniform illumination, on LED dot or dark spot
4. Transverse minimum bending diameter: 300mm
6. Simple to installed, can be cut at interval (connection accessories available)
7. Protection Rating IP67 (with connection accessories, IP68 with factory Pre-Mold front connector)

Product Code.	Flex Tube SC_17x16mm(MFlex-T-SE)
LED Type	SMD
Material	PVC - Ivory White
Working Voltage	DC24V
Rated Power /m	10.5-Watt
LED Qty/m	108LEDs
LED Distance	9.26mm
Min. Cutting Unit	6LEDs
Min. Cutting Length	55.6mm
Connection Length	10m
IP Rating	IP67 / IP68
LED Color	AMBER / 2700K / 3000K / 4000K / 6000K

All rights reserved. Improvement and changes to product specifications and design and all content in this catalogue may be make at any time without prior notice.

Corporate Address

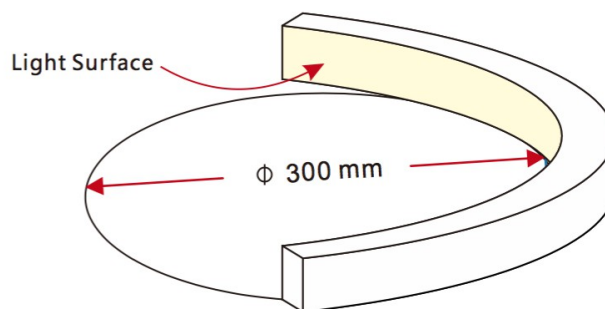
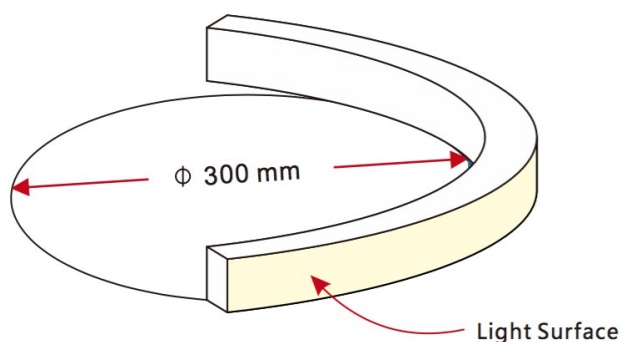
Equipson

Pol.Ind. L'Alteró, Av. Saler 14

CP: 46460 – Silla (Valencia), SPAIN



Beam angle	160°						
Color	Wavelength	Lumen/m	Power/m	Color	CCT	Lumen/m	Power/m
Red	620-630nm	>180lm	7.2W	2400K	2400±125K	>400lm	10.5W
Green	520-530nm	>360lm	10.5W	2700K	2725±145K	>400lm	10.5W
Blue	465-475nm	>50lm	10.5W	3000K	3045±175K	>450lm	10.5W
Amber	585-595nm	>160lm	7.2W	3500K	3465±245K	>450lm	10.5W
				4000K	3985±275K	>450lm	10.5W
				4500K	4503±243K	>450lm	10.5W
				5000K	5028±283K	>450lm	10.5W
				5700K	5660±355K	>450lm	10.5W
				6500K	6530±510K	>450lm	10.5W



The light can only be bent along the light surface. Do not bend smaller than allowed minimum bend diameter.

ANSI STANDARD

Nominal CCT Categories

Nominal CCT	Target CCT and tolerance(K)	Target Duv and tolerance
2700K	2725 ± 145	0.000 ± 0.006
3000K	3045 ± 175	0.000 ± 0.006
3500K	3465 ± 245	0.000 ± 0.006
4000K	3985 ± 275	0.001 ± 0.006
4500K	4503 ± 243	0.001 ± 0.006
5000K	5028 ± 283	0.002 ± 0.006
5700K	5665 ± 355	0.002 ± 0.006
6500K	6530 ± 510	0.003 ± 0.006
Flexible CCT (2700-6500K)	$T^2 + \Delta T^3$	$D_{uv}T^2 \pm 0.006$

Remark:

- Six of the nominal CCTs correspond to those in the fluorescent lamp specification [2]: 2700K, 3000K (Warm White), 3500K (White), 4100K (Cool White), 5000K and 6500K (Daylight), respectively.
- T is chosen to be at 100K steps (2800, 2900, ..., 6400K), excluding those eight nominal CCTs listed in Table 1.
- ΔT is given by $\Delta T = 0.0000108 \times T^2 + 0.0262 \times T + 8$.
- Duv is given by $D_{uv} = 57700 \times (1/T)^2 - 44.6 \times (1/T) + 0.0085$

Corporate Address

Equipson

Pol.Ind. L'Alteró, Av. Saler 14

CP: 46460 – Silla (Valencia), SPAIN

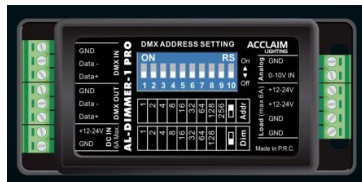


Flex Tube SC 17x16mm LED Driver

! Standard – Non-Dimmable

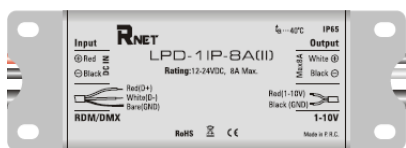
! Optional Purchase : ELV-Triac Dimmable Driver / 1~10V-Dimmable Driver

Control Accessories –



This unit perform PWM dimming to LED light source upon receiving 1~10V analogue signal or DMX-Signal
24VDC operation, 6A load

Product Code: AL-Dimmer-1-PRO



IP65 PWM dimming to LED light source upon receiving 1~10V analogue signal.

24VDC operation, 8A load

Product Code: LPD-1IP-8A(II)

Installation Accessories



Injection-moulded Front Connector (side)

Connects light to power supply with pre-installed side feed cable, IP68. Available in 0.3m, 1m, 3m, 5m, 10m, 15m, 20m lengths.



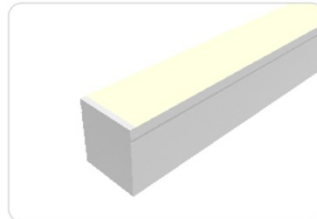
Injection-moulded Front Connector (bottom)

Connects light to power supply with pre-installed bottom feed cable IP68. Available in 0.3m, 1m, 3m, 5m, 10m, 15m, 20m lengths.



Injection-moulded Front Connector (end)

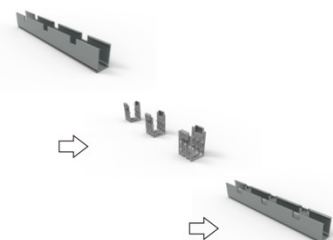
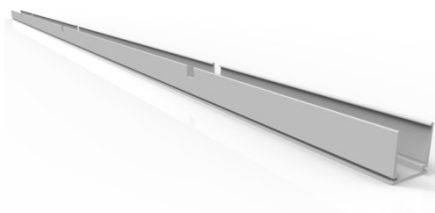
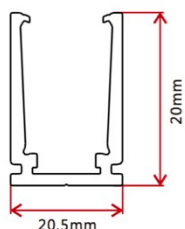
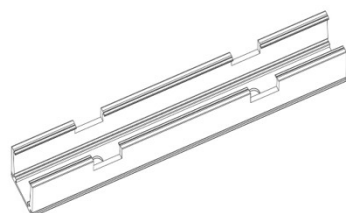
Connects light to power supply with pre-installed end feed cable, IP68. Available in 0.3m, 1m, 3m, 5m, 10m, 15m, 20m lengths.



Injection-moulded End Cap

Pre-installed termination protection of the light, IP68.

Aluminum Mounting Channel



All rights reserved. Improvement and changes to product specifications and design and all content in this catalogue may be make at any time without prior notice.